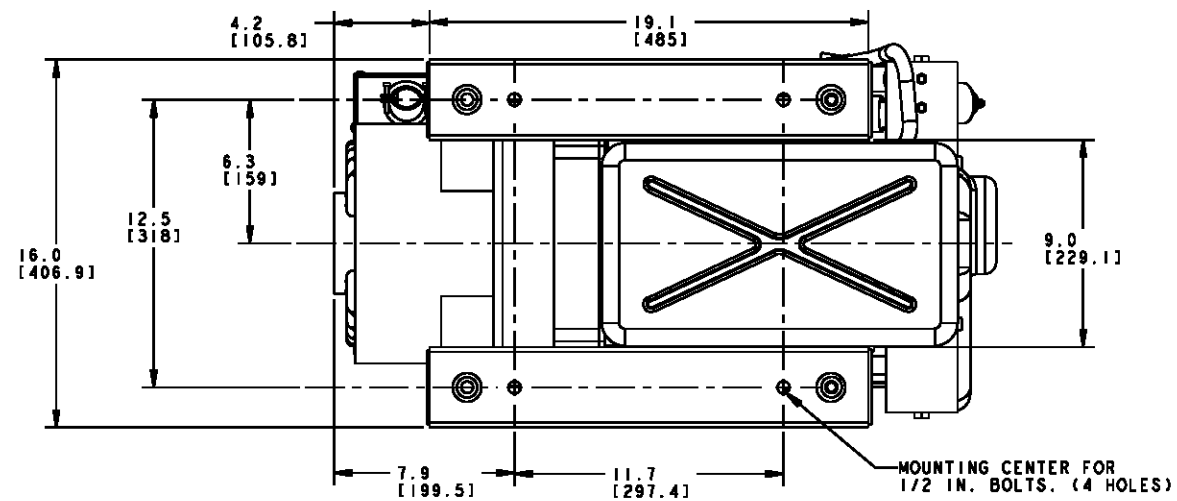
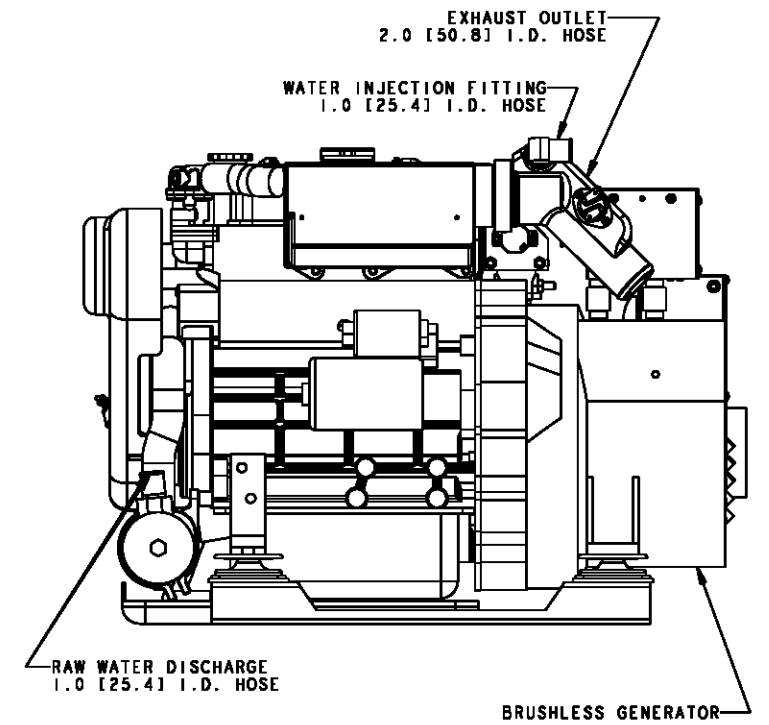
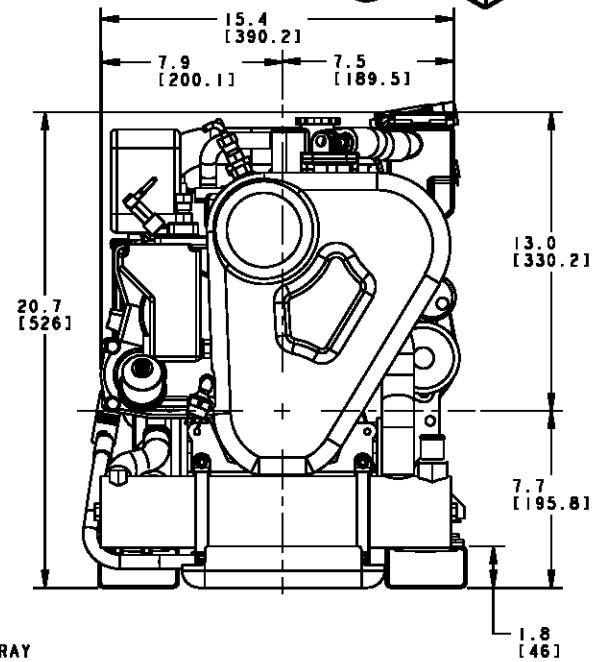
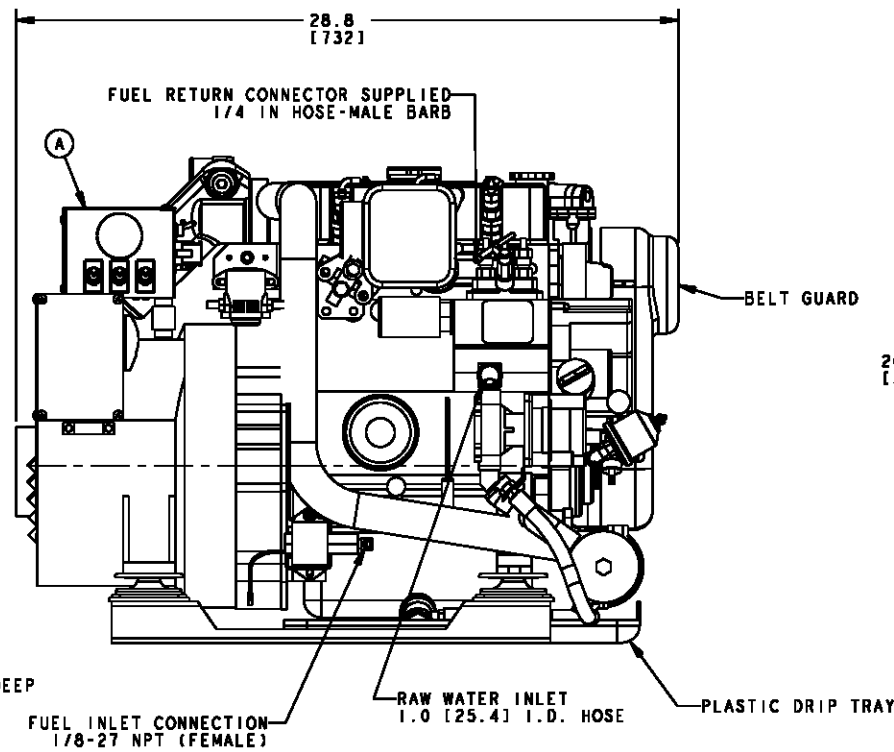
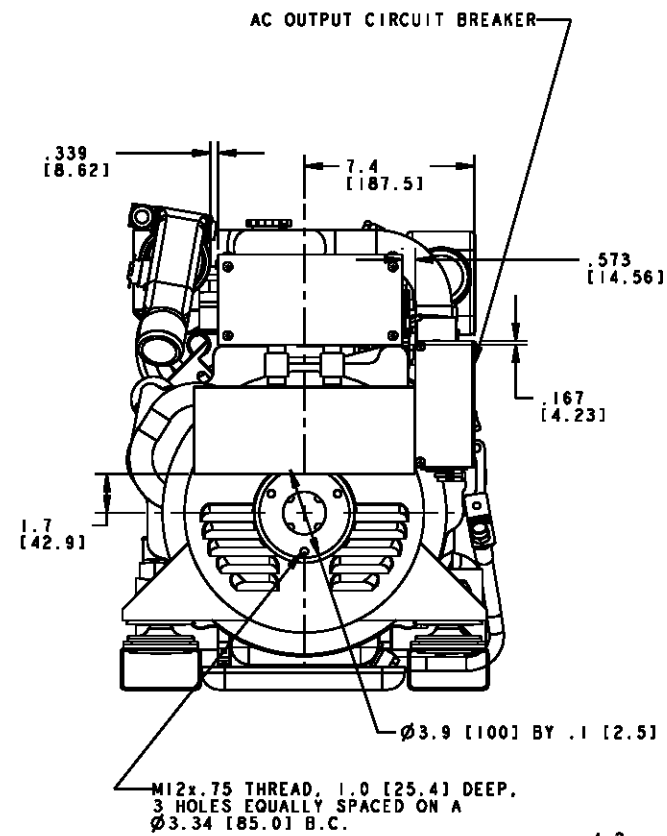
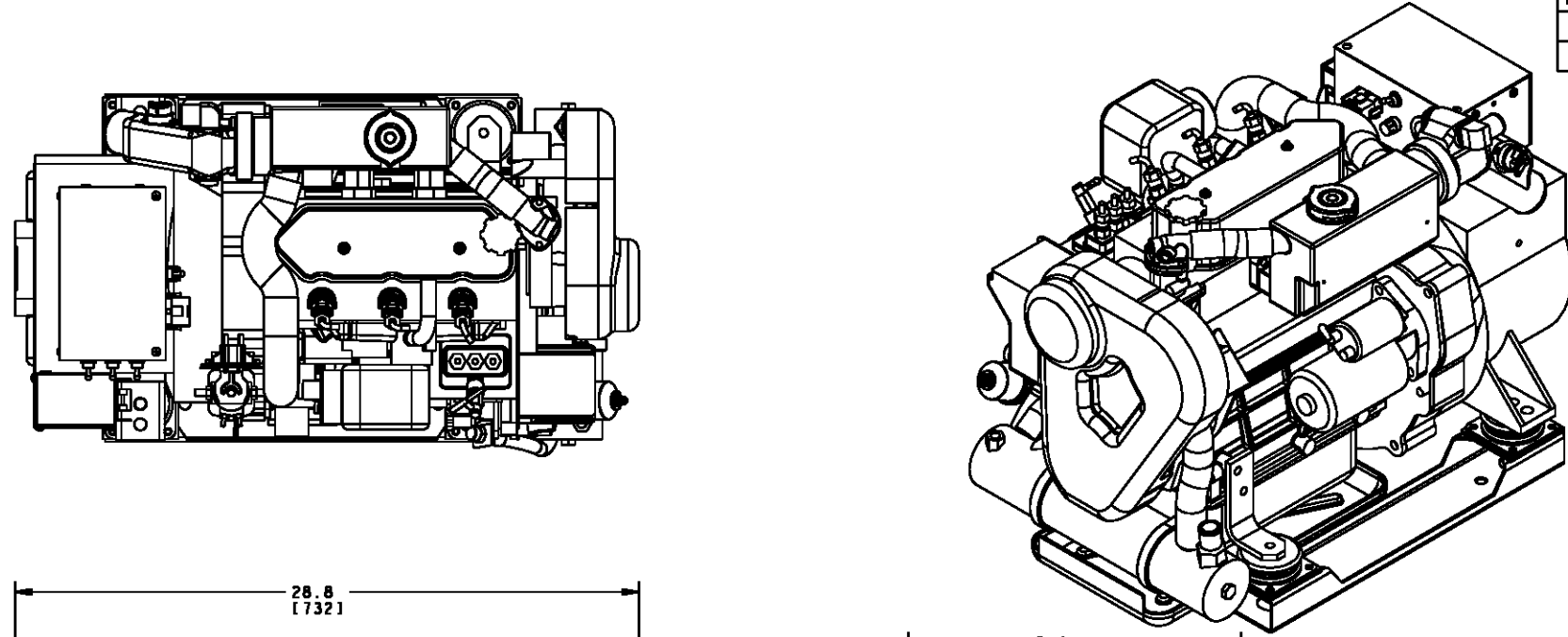


ECO NO.	DATE	REV.	REVISION RECORD	AUTH.	DR. BY
5351	8-22-02	A	CHANGED PANEL BOX		GA
5756	6-8-04	B	UPDATED PANEL BOX		GA



TOLERANCES (UNLESS OTHERWISE NOTED)		WESTERBEKE CORPORATION TAUNTON, MA. 02780	
INCHES	MILLIMETERS	TITLE	
XX : .02	X ± 1.0	INSTALLATION DRAWING	
XXX : .005	.XX ± .13	4.0 kW BCD	
CAST : .03			
ANGLES : 9°			
FINISH : 32			
DIMENSIONS	APPROVED BY	DATE	MATERIAL
INCHES	GA	05/JUN/02	
MILLIMETERS			
SCALE 0.250	SIZE	DRAWING NUMBER	REV.
OTHER APPLICABLE	D	47887	B